



JOB NAME:	CONTRACTOR:
JOB LOCATION:	APPROVAL:
ENGINEER:	CONTRACTOR P.O.:
APPROVAL:	REPRESENTATIVE:

MEBFVSTCE-0*

BFVSTCE STAINLESS STEEL BUTTERFLY VALVE WITH SANITARY TRI-CLAMP ENDS AND EPDM SEAT WITH W METAL ELECTRIC ACTUATOR SIZES 1/2" TO 8"

*001	12V AC/DC	*002	24V AC/DC	*003	100-240VAC
01	BATTERY BACKUP	*02*	POSITIONER	*04*	BAT. BACKUP W POS

SPECIFICATIONS

The MEBFVSTCE metal electric actuated package features the BFVSTCE sanitary butterfly valve with sanitary tri-clamp ends and an EPDM seat.

The valve has a 3-A surface finish and meets all related FDA and USDA standards, The disc also has a mirror finish for prevention of particles and obstructions.

The Valbia VBM series metal actuator comes with a NEMA 4-4X rating, 2 auxiliary limit switches, a heater and a thermostat, torque limiter and dual voltages. The actuator has a dual ISO 5211 mounting patterns, a 75% duty cycle, conduit connections and is CSA/UL certified.

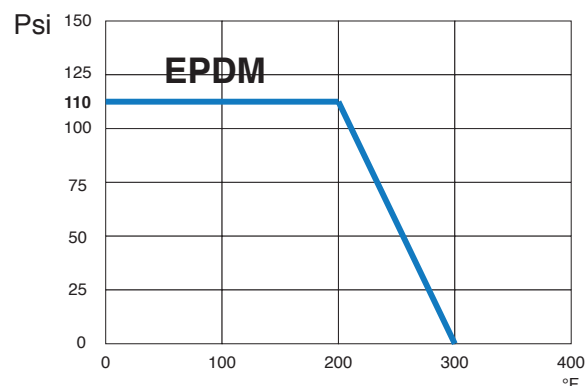
ACTUATOR FEATURES

- Dual Voltages
- CSA, UL approved
- 24V AC/DC and 100-240V AC
- ISO 5211 dual patterns
- 75% Duty Cycle
- High-Strength, Die Cast Aluminum Powder Coated Housing
- Temperature Range -4°F to 131°F
- NEMA 4 Housing
- Two Auxiliary Switches Standard
- Torque limiter standard
- 1/2" Conduit connections

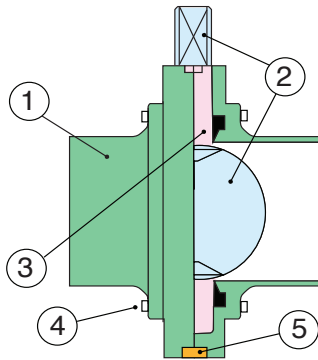
VALVE FEATURES

- AISI 316 L Stainless Steel
- EPDM seat standard
- Silicone or FKM (Viton) seats optional
- Full port, sizes 1/2" to 8"
- Sanitary Tri-Clamp Ends
- Surface finish meets 3-A, FDA & USDA standards
- 13-position, 304SS spring loaded lever lock handle 1/2" to 6"
- 110 PSI @ 200°F

PRESSURE TEMPERATURE CHART FOR BFVSTCE

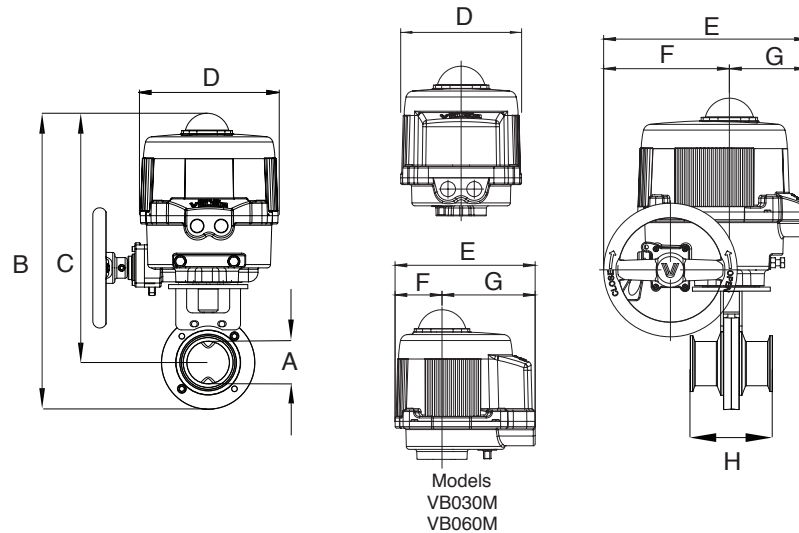


BILL OF MATERIALS FOR BfvSTCE



N POS	PART NAME	MATERIAL	N PCS
1	BODY HALF	316L	2
2	DISC	316L	1
3	SEAT	EPDM	1
4	BODY BOLTS	304SS	4
5	BODY CAP	BUNA-N	1

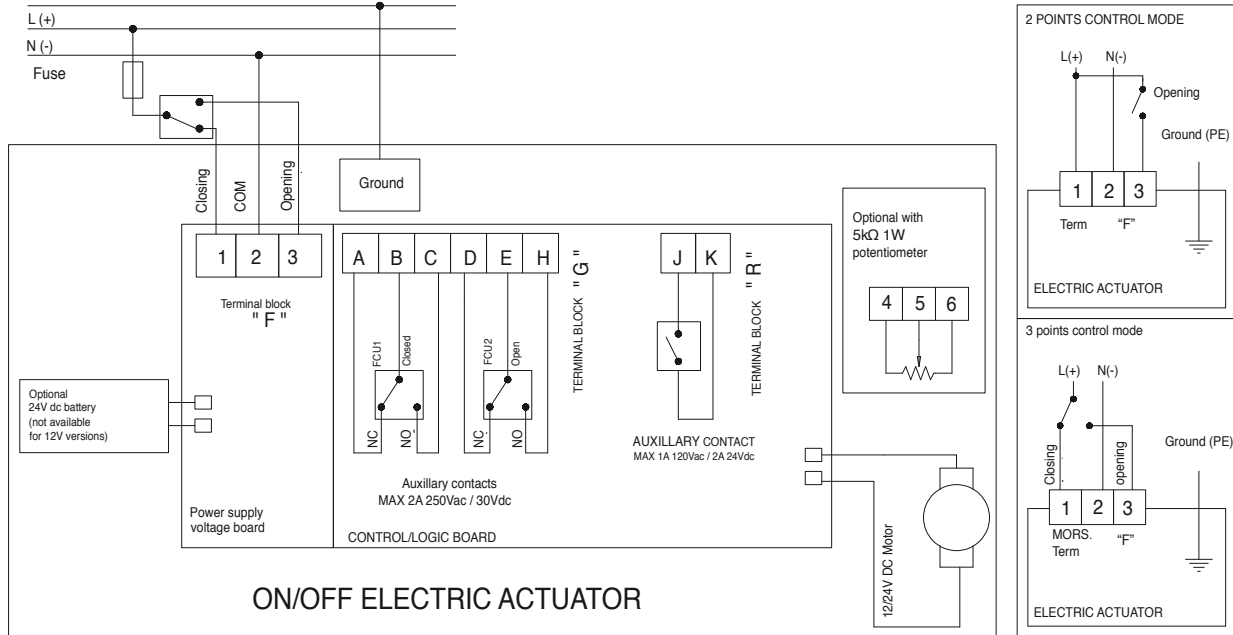
DIMENSIONS



SIZE	A	B	C	D	E	F	G	H	ACT.
1/2"	3.00	12.63	11.14	6.34	7.36	2.48	4.88	3.50	VB030M
3/4"	3.00	12.63	11.14	6.34	7.36	2.48	4.88	3.50	VB030M
1"	0.87	12.75	11.22	6.34	7.36	2.48	4.88	3.50	VB030M
1-1/2"	1.37	13.02	11.41	6.34	7.36	2.48	4.88	3.50	VB030M
2"	1.87	13.37	11.65	6.34	7.36	2.48	4.88	3.74	VB030M
2-1/2"	2.37	13.54	11.77	6.34	7.36	2.48	4.88	3.82	VB030M
3"	2.84	14.82	12.91	6.93	7.76	2.48	5.28	4.06	VB060M
4"	3.84	15.97	13.70	6.93	7.76	2.48	5.28	4.78	VB060M
6"	5.84	17.84	15.31	10.63	10.48	6.50	3.98	6.00	VB110M
8"	7.93	18.64	15.86	10.63	10.48	6.50	3.98	6.56	VB110M

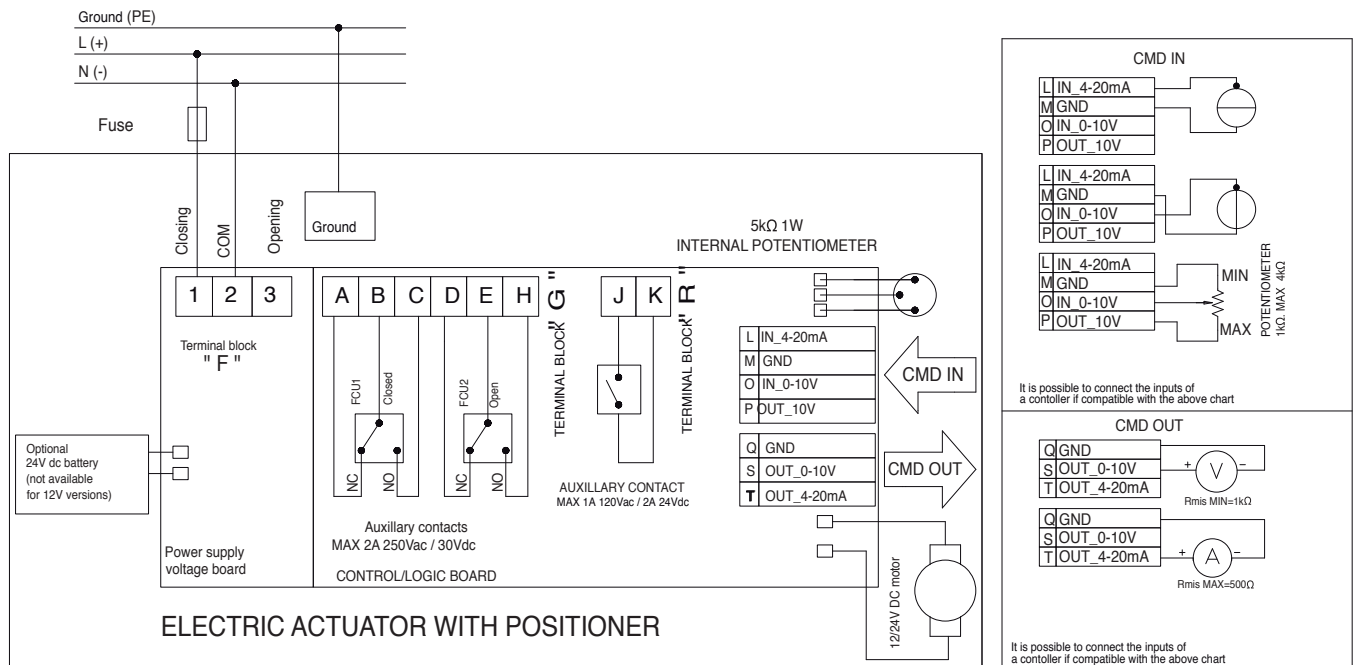
ON/OFF WIRING DIAGRAM

12V AC/DC, 24V AC/DC & 100-240VAC



POSITIONER WIRING DIAGRAM

12V AC/DC, 24V AC/DC & 100-240VAC



The power supply COM signal (pin "2" terminal block "F") cannot share the same electrical command ground signal (pin "GND" terminal block "CDM IN") or feedback ground signal (pin "GND" terminal block "CDM OUT").